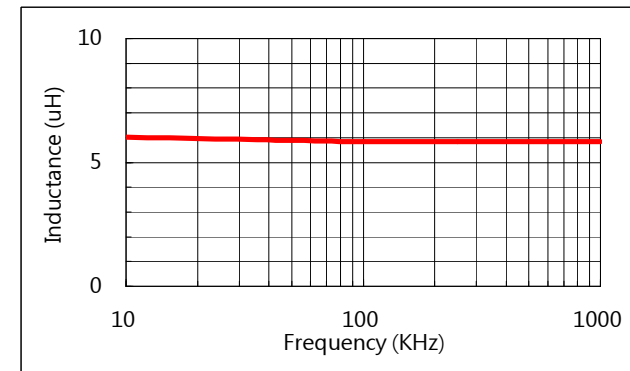
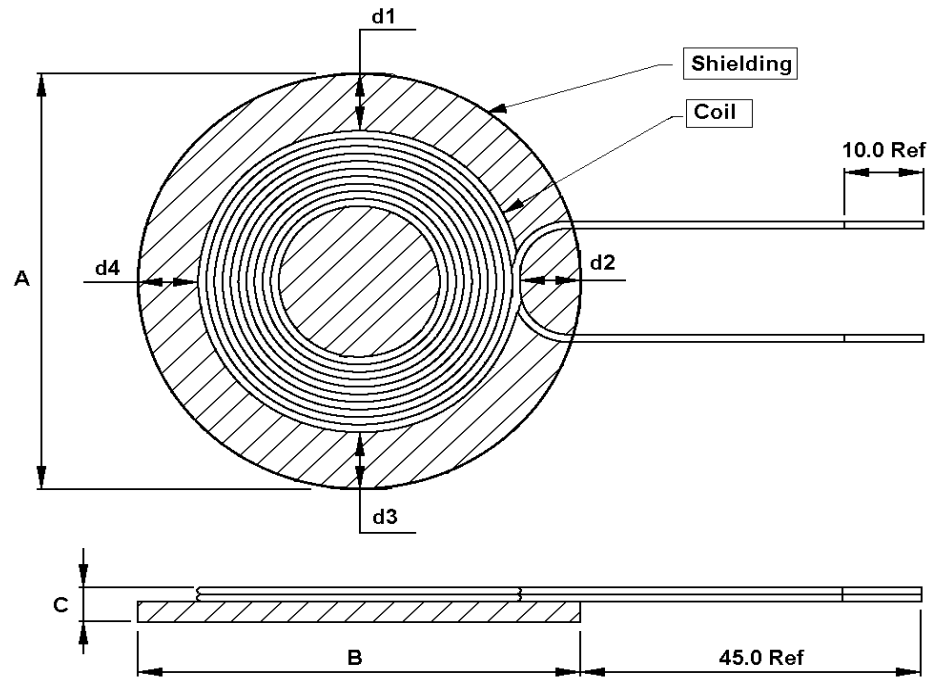


Power Transmitter - TX11C (WPC V1.1 design A11 : 5V / 110-205KHz)



Dimension :

unit	mm
A	52.5 +- 1.0
B	52.5 +- 1.0
C	3.8 max
d1~d4	2.0 min

Electronic Characteristics :

L	6.0uH +- 10%
DCR	20 mΩ ref
Test Instruments :	Microtest 6377
Test Conditions :	100KHz / 1.0V / 0A



CROWN FERRITE ENTERPRISE CO.

<https://cfe.com.tw>

e-mail : cfe@cfe.com.tw