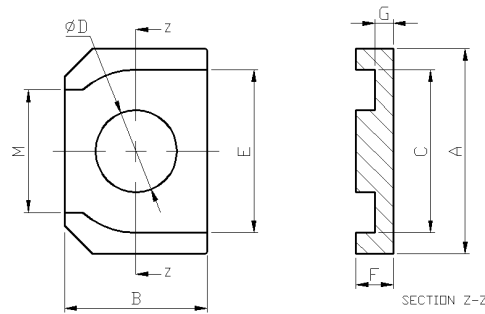
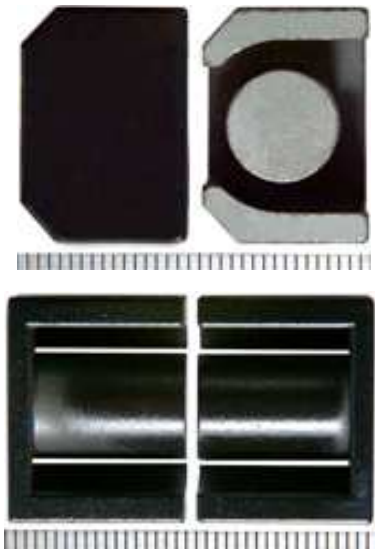


# High Current Sendust Cores (22x15.5 Series)

## Description :

Sendust Core (**22x15.5 series**) has high operating frequency, high saturation current and can be designed for thermal aging free up to 200°C. The core is not easy breakdown up to 200°C when exposed to elevated environment temperature or generate elevated temperature by itself. A High Current Inductor (low height / low buzz noise / low DCR / low inductance) is consisted by coil and cores ( E+E or E+I ). It can divide to Sendust core, Fe-Si core, High Flux core and suitable for Notebook, Desktop computer, Server, VGA card , DC/DC converter and PDA.



### E core

A : 22.0

B : 15.5

F : customized

G : customized

## Electrical Specifications (reference only) :

No	Core Shape	Total Height	LOA	Bias
1	E + E	21.1mm	7.0uH	48A
2	E + E	21.1mm	8.8uH	33A
3	E + E	28.0mm	11.5uH	43A
4	E + E	28.0mm	13.0uH	40A
5	E + E	28.0mm	13.5uH	30A

No	Core Shape	Total Height	LOA	Bias
6	E + E	28.0mm	16.3uH	27A
7	E + E	34.6mm	20.0uH	35A
8	E + E	34.6mm	22.0uH	26A
9	E + E	34.6mm	40.0uH	22A
10	E + E	43.6mm	50.0uH	20A

\* The reading values are typical only, will changed with different material, dimension and coil.

\* Other materials and custom parts are also available.