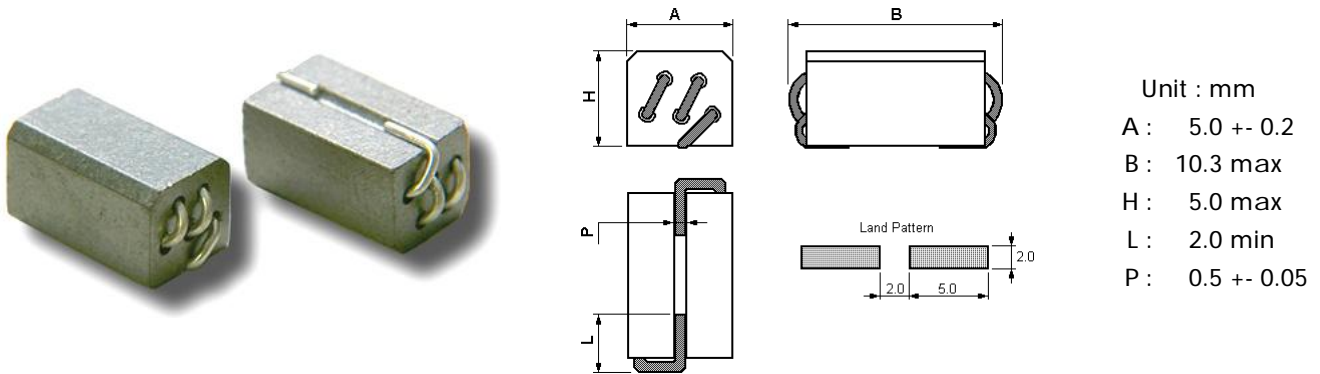


SMD Wire Wound Bead (S5H Series)



Description :

S5H Series (SMD Wire Wound Bead) is a SMD type bead, a ferrite core with 2.5ts copper wire winding directly. It's often used for signal filter or DC line filter to suppress outside noise at communication equipments because it's high impedance and large rated current.

Part Number	Typical Impedance (ohm)		Rated Current (MAX)	DC Resistance (MAX)	Operating Temperature (°C)
	25MHz	100MHz			
S5H-2.5Ts	460	655	10A	5 m-ohm	-25 ~ +90

RoHS 2.0
2011/65/EU

